



- PC41
- PC51
- PC61
- PC70
- PC80
- PC100
- PC600
- PC800

Plate Compactor

Full range of Plate Compactors for any materials and any job site

High efficiency

- Highly durable high tension steel plates assure long service life and perfect compaction on any job site.
- Easily detachable sprinkler system is available for asphalt works, PC600 and PC800 are equipped with sprinkler systems as standard.

Safety provisions

- Sakai's original rubber shock-absorbers assure easy handling and comfortable operation.

Easy maintenance

- Sakai's original one-touch belt cover system protects the belt from harmful gravels and provides easy checking of belt condition.
- Bottom plate can be turned 180 degrees allowing even wear and prolonging the service life of the plate.



Our communication mark "G" represents SAKAI's compact machines, which offer Growth and concern for the Green environment, on a Global Ground.



- Easy detachable sprinkler system (PC800)



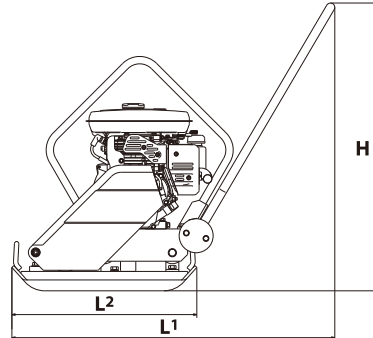
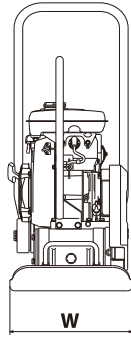
- Easy detachable sprinkler system (PC600)



- One-touch belt cover system

See in detail at Sakai Web site

www.sakainet.co.jp



Specifications

Model		PC41	PC51	PC61	PC70
Weights	kg(lb)	47 (104)	57 (125)	69 (151)	74 (162)
Dimensions	Overall Length L¹	855 (34)	940 (37)	945 (37.2)	960 (38)
	Overall Width W	290 (11.5)	340 (13.4)	360 (14.2)	380 (15)
	Overall Height H	785 (31)	850 (33.5)	850 (33.5)	850 (33.5)
	Vibrating Plate W×L²	290×480 (11.5×19)	340×530 (13.4×21)	360×545 (14.2×21.5)	380×570 (15×22.5)
Performance	Frequency	97 (5800)			
	Centrifugal Force	6.4 (650) 1435	8.8 (900) 1985	10.8 (1100) 2425	12.7 (1300) 2870
	Max. Speed	25 (82)			
Engine	Model	ROBIN EH09-2D		ROBIN EH12-2D	ROBIN EY20-3D
	Type	Air cooled, 4-cycle			
	Max. Output	2.1 (2.9) / 4200		2.9 (3.9) / 4000	3.7 (5.0) / 4000
	Fuel Tank Capacity	1.5 (0.4)		3.6 (1.0)	3.8 (1.0)
	Starting System	Recoil Starter			
Sprinkler System		Option	Option	Option	
One Touch Velt-cover	○	○	○	—	
Rotating Plate	○	○	○	○	
Body Protection Guard	○	○	○	—	

Model		PC80	PC100	PC600	PC800
Weights	kg(lb)	78 (171)	103 (225)	67 (147)	98 (214)
Dimensions	Overall Length L¹	960 (38)	1050 (41.3)	945 (37.2)	915 (36)
	Overall Width W	430 (17)	480 (18.9)	350 (13.8)	500 (20)
	Overall Height H	850 (33.5)	910 (35.8)	900 (35.4)	960 (37.5)
	Vibrating Plate W×L²	430×570 (17×22.5)	480×575 (19×23)	350×520 (13.8×21)	500×585 (20×23)
Performance	Frequency	97 (5800)			
	Centrifugal Force	14.7 (1500) 3310	16.7 (1700) 3750	11.8 (1200) 2646	16.2 (1652) 3642
	Max. Speed	25 (82)		30 (98)	
Engine	Model	ROBIN EY20-3D	YANMAR L48V6	HONDA GX120U1	HONDA GX160U1
	Type	Air cooled, 4-cycle			
	Max. Output	3.7 (5.0) / 4000	3.3 (4.5) / 3600	2.9 (4.0) / 4000	4.0 (5.5) / 4000
	Fuel Tank Capacity	3.8 (1.0)	2.4 (0.6)	2.5 (0.7)	3.6 (1.0)
	Starting System	Recoil Starter			
Sprinkler System	Option		Standard 10L (2.8gal)		
One Touch Velt-cover	—	—	—	—	
Rotating Plate	○	○	—	—	
Body Protection Guard	—	—	○	○	

* Specifications are subject to change without notice.

* Max. Output shows Maximum output in catalogue of engine manufacturer. It does not always mean max. under operation of the machine.

ISO 9001
SAKAI HEAVY INDUSTRIES, LTD. obtain the certification of
quality management system ISO9001.



SAKAI HEAVY INDUSTRIES, LTD.

HEAD OFFICE: 1-4-8, SHIBA DAIMON, MINATO-KU, TOKYO JAPAN

TELEPHONE: +81-3-3431-9971

FACSIMILE: +81-3-3436-6212